



Installation guide
XI Slimline Font – Proud & Flush Mount



Installation requirements.

Proud & Flush Mount

Components included

Before commencing installation, ensure you have identified the following pieces:

1. Font tray
2. Font cover plate set 1 set (3 piece)
3. Sealing Gaskets x 3
4. Drain adapter
5. O-ring
6. M5 x 40mm screw
7. Elbow 3/4"
8. Bush
9. Hose adaptor
10. M6 x 45mm hex bolt x 4
11. M6 Flange nuts x 4
12. Font washer
13. Font mounting bracket x 4

Determine unit location

Plan the installation. Dispenser tube lengths, benchtop and cupboard restraints and drainage requirements must be considered when determining location. Use template enclosed for drilling and cut-out details. Refer also to appliance installation requirements supplied with Drinking Water System.

Drainage location

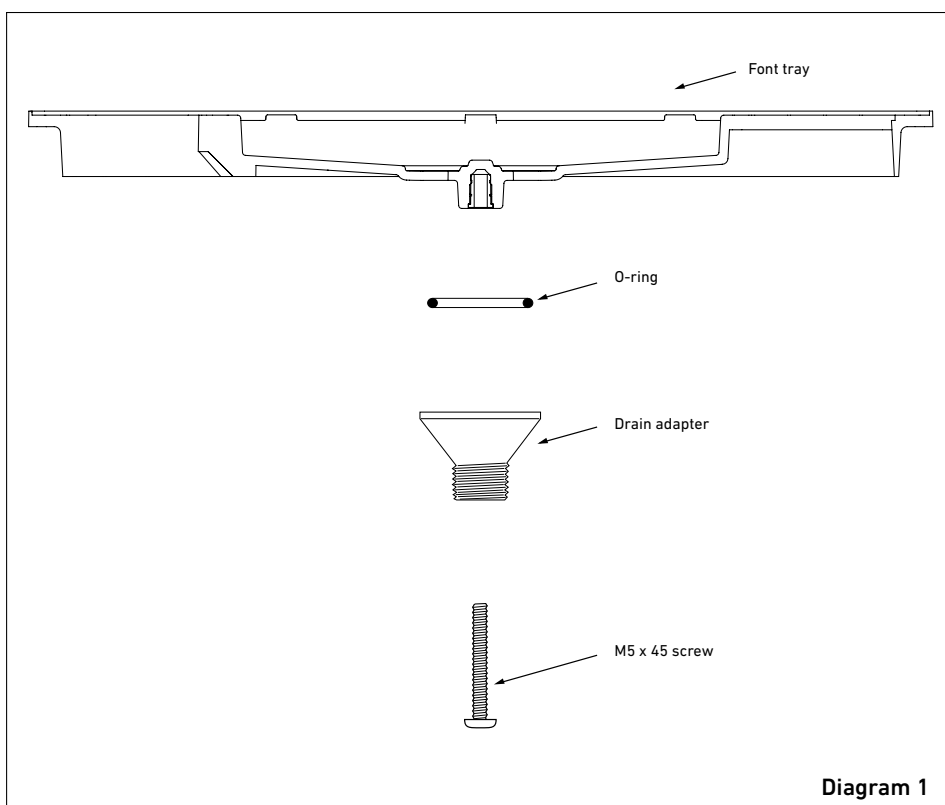
Careful design and installation is essential to provide satisfactory drainage performance and to prevent later blockages. The Billi Font is designed to be able to be connected to a dishwasher nipple using either flexible or rigid tubing or copper tubing. Where a horizontal run is needed, we recommend 20mm or 25mm copper tubing be used. An adapter bush is supplied for use where a standard 40mm trap and drain is installed.

IMPORTANT

If drain is to be connected to a dishwasher nipple, ensure hole through nipple is drilled to at least $\varnothing 12.7\text{mm}$ (1/2") and de-burred, to allow adequate flow.

Drain must be installed with a continual fall along the entire length of the tube.

The Billi Fixture is to be installed by a licensed tradesperson in accordance with AS 3500.4 Or AS/NZ 3500.4.2 And in compliance with applicable state regulatory requirements.



Installation procedure.

Proud Mount

1. Marking and Drilling Holes

- Cut out hole in benchtop using measurement shown in Diagram 7a on the following page.

2. Fitting Drain Adapter

- Fit O-ring to Drain adapter.
- Fit Drain adapter to tray. Tighten M5 screw, Note: Do NOT over-tighten the screw.
- Drain tube and elbow fitting are to face dispenser mount hole – refer to diagram 1 on previous page.

3. Fitting Billi Font to Benchtop

- Install the sealing gasket around the edge of the font tray. Refer to Diagram 2.
- Lower the Font tray into the cut out and insert 4 x M6 bolts, one in each corner.
- Fit the clips and M6 Flange nuts to all 4 bolts – refer to Diagram 3.
- Tighten nuts until rim sits flat on benchtop. Do NOT over-tighten nuts.

4. Fit front and rear cover plates

- Remove protective film from cover plate set.
- Remove bottom gasket covers and insert into gasket grooves.
- Remove gasket cover and insert cover into font tray.
- Ensure holes in rear cover plate align with the holes in the font tray.
- Apply pressure around edge of plate(s) to ensure proper gasket seal.

5. Install the tap – refer to diagram 4.

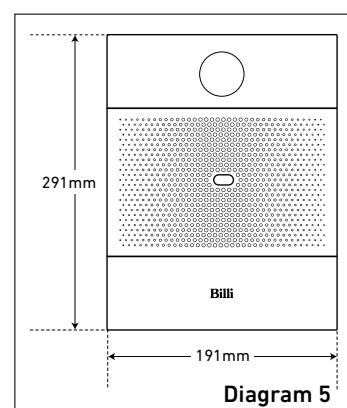
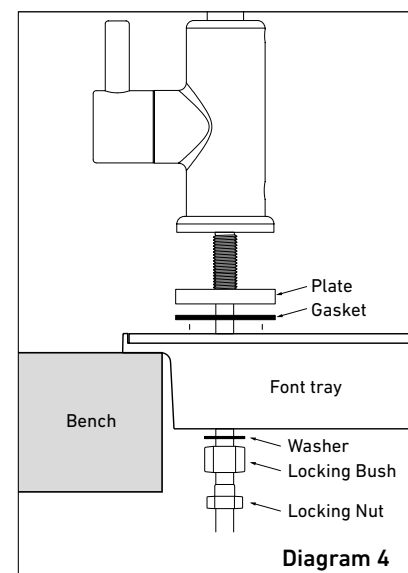
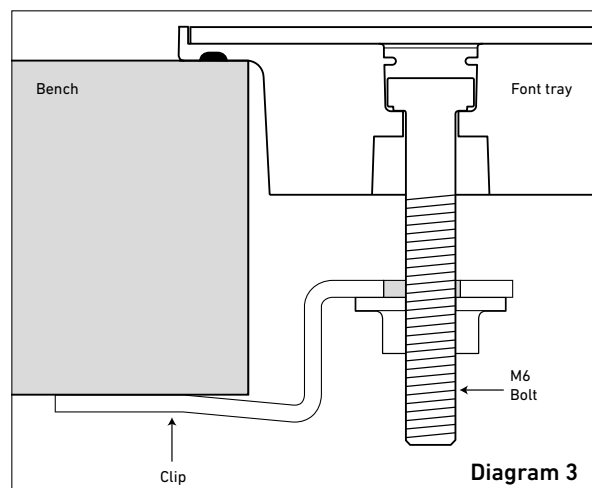
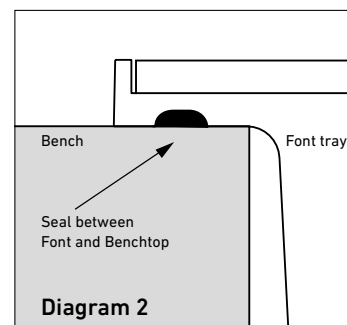
- Feed the dispenser tube and tap base into hole in the rear of the font.
- Feed lock mechanism components onto the end of the dispenser tube in the following order:
 - Washer
 - Locking bush
 - Locking nut.
- Slide components into position and tighten the locking nut. Note: Do NOT over tighten.

6. Connect Tubing to Underbench Module

- Connect dispenser tubing to underbench module as per installation instructions supplied with your unit.

7. Connect Drainage

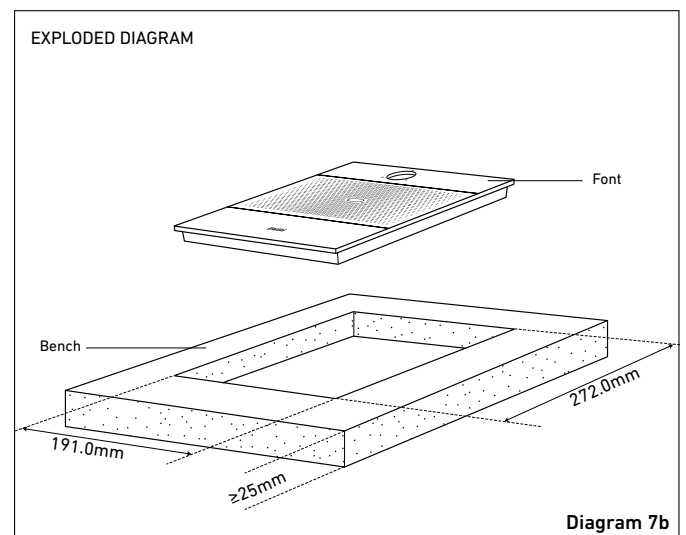
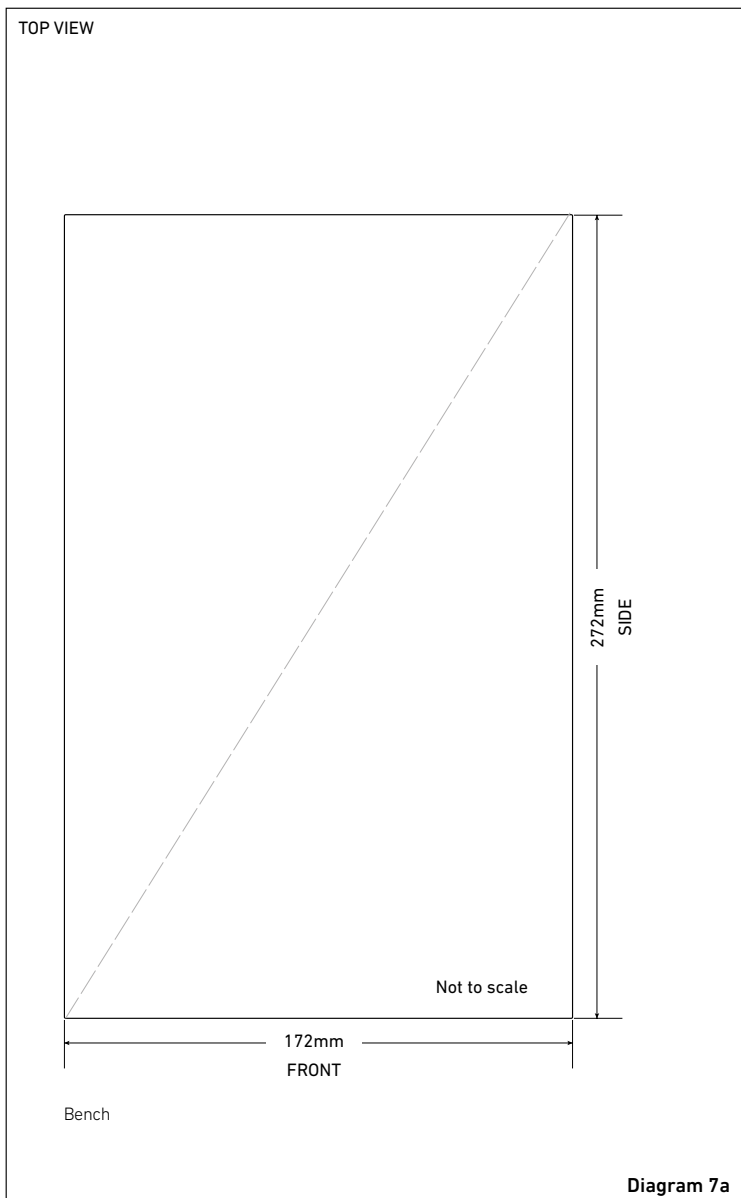
- Connect drainage tubing with reference to Drainage Requirement instructions on previous page. Drainage tube must be installed with a continual fall along the entire length of the tube and must be adequately clipped and supported.



Installation procedure. Proud Mount

Hole Cut-Out Dimensions
– See Template for actual size,

Before using check dimensions
are accurate.



Installation procedure.

Flush Mount

1. Marking and Drilling Holes

- a. Cut out hole in bench top according to Diagram 7a on page 6. Use appropriate router bits to give R5.0 edges.

2. Apply thick coat of moisture primer to all cut surfaces

3. Fitting Drain Adapter

- a. Fit O-ring to Drain adapter.
- b. Fit Drain adapter to tray. Insert and tighten M5 screw, Note: Do NOT over-tighten the screw.
- c. Drain tube and elbow fitting are to face dispenser mount hole –refer to diagram 1 on page 2.

4. Fitting Billi Font to Benchtop

- a. Install the sealing gasket around the edge of the font tray. Refer to Diagram 2.
- b. Lower the Font tray into the cut out and insert 4 x M6 bolts, one in each corner.
- c. Fit the clips and M6 Flange nuts to all 4 bolts – refer to Diagram 3.
- e. Tighten nuts until rim sits flat on benchtop. Do NOT over-tighten nuts.

5. Fit front and rear cover plates

- a. Remove protective film from cover plate set.
- b. Remove bottom gasket covers and insert into gasket grooves.
- c. Remove gasket cover and insert cover into font tray.
- d. Ensure holes in rear cover plate align with the holes in the font tray.
- e. Apply pressure around edge of plate(s) to ensure proper gasket seal.

6. Install the tap – refer to diagram 4.

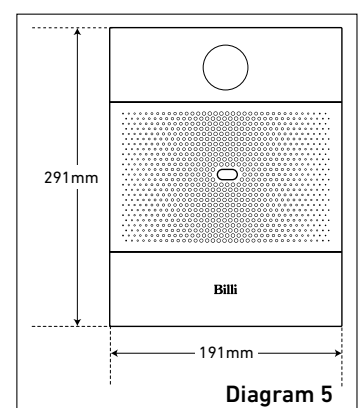
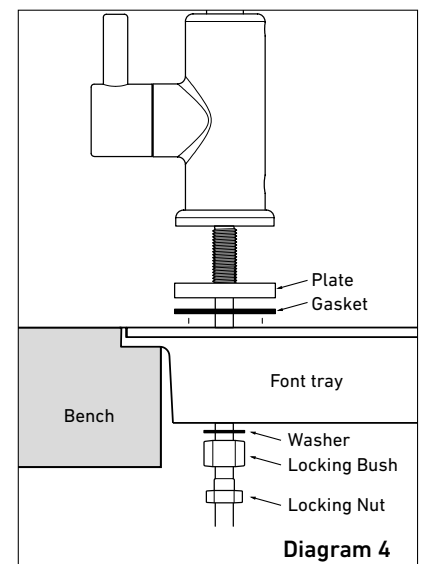
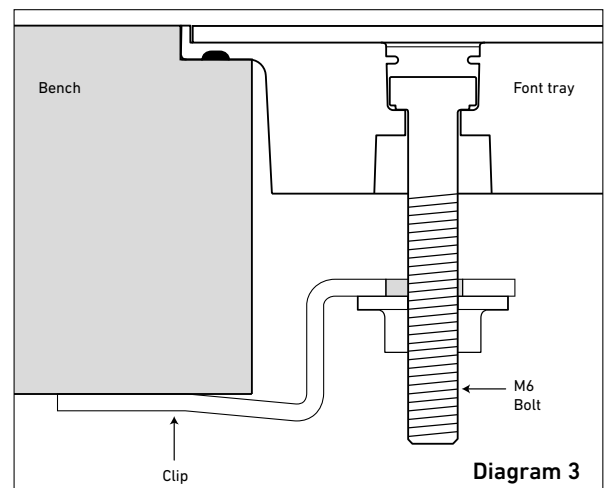
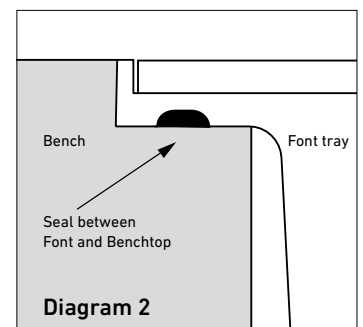
- a. Feed the dispenser tube and tap base into hole in the rear of the font.
- b. Feed lock mechanism components onto the end of the dispenser tube in the following order:
 - i. Washer
 - ii. Locking bush
 - iii. Locking nut.
- c. Slide components into position and tighten the locking nut.
Note: Do NOT over tighten.

7. Connect Tubing to Underbench Module

- a. Connect dispenser tubing to underbench module as per installation instructions supplied with your unit.

8. Connect Drainage

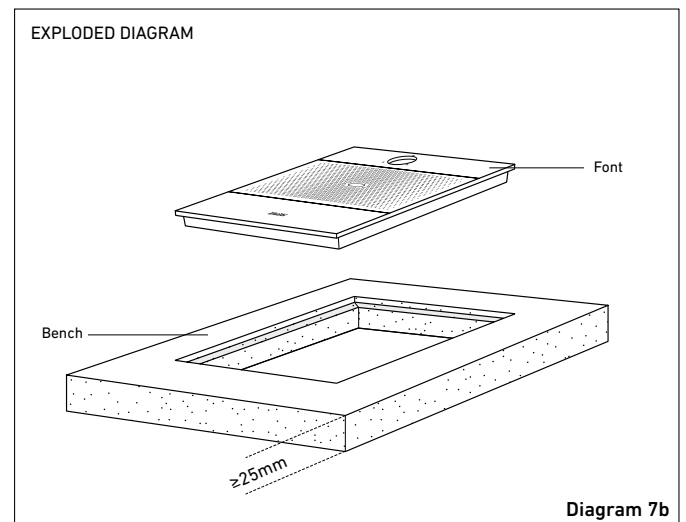
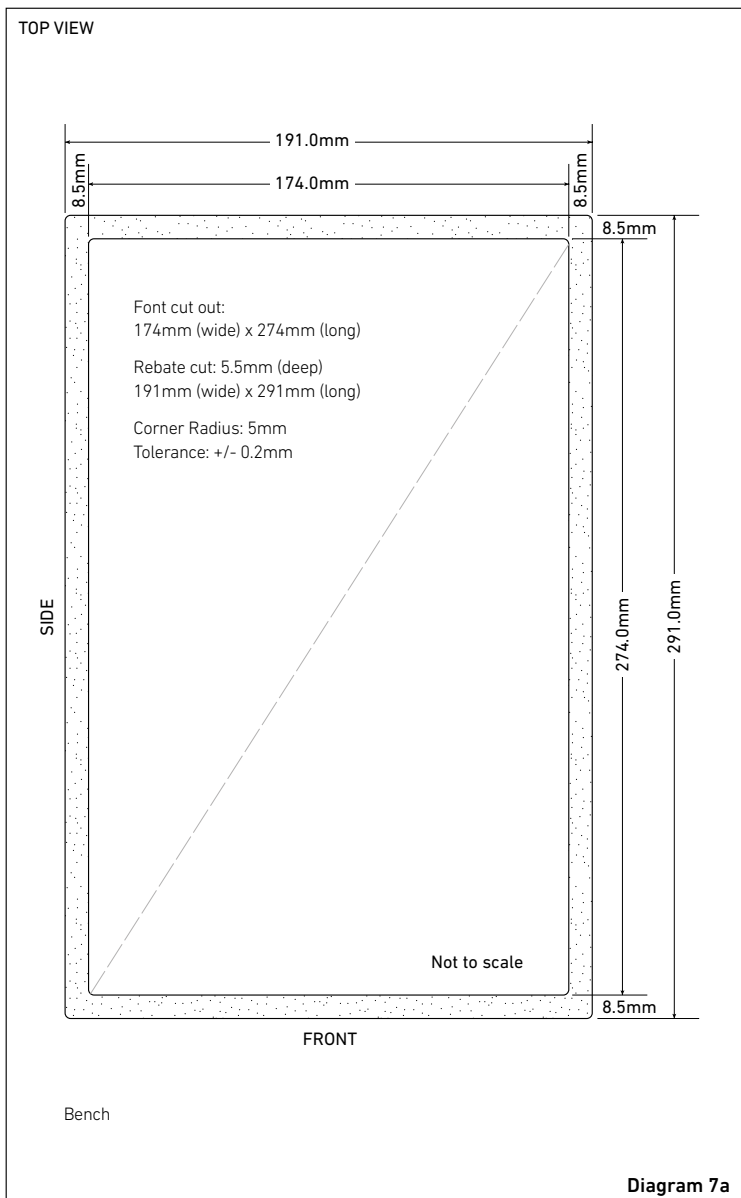
- a. Connect drainage tubing with reference to Drainage Requirement instructions on previous page. Drainage tube must be installed with a continual fall along the entire length of the tube and must be adequately clipped and supported.



Installation procedure. Flush Mount

Hole Cut-Out Dimensions
– See Template for actual size,

Before using check dimensions
are accurate.





If any problems or difficulties arise contact **Billi Australia Pty Ltd**: Phone 1800 812 321 (Free call).
To validate your warranty refer to the warranty card or validate online at www.billi.com.au
For information on our filtration and service contracts please contact Billi Customer Service on
1800 812 321 or service@billi.com.au.

Billi Australia Pty Ltd
42 Lucknow Crescent, Thomastown
Victoria 3074 Australia
Telephone +61 3 9469 0400
Facsimile +61 3 9469 0499
www.billi.com.au

Designed and manufactured in Australia.
As Billi Australia Pty Ltd has a policy of
continual improvement, all details are
subject to change without notice. All
goods are sold subject to our published
terms and conditions. Billi is a registered
trademark. 0618