

### Billi OmniOne Plus 9 with XL Levered Dispenser and Square Mixer

The OmniOne is the latest iteration of multifunction filtered drinking water appliances from Billi. The intersection of genuine innovation and sustainable design, OmniOne integrates Billi's renowned water-cooling and energy reclaim technologies into a single space-saving under bench control module.

The OmniOne range is the ultimate inclusion to the modern workplace or facility.

Supplied standard with a DDA compliant XL levered drinking water dispenser and 6 star rated mixer tap, the solution is both functional and appealing.



### Features



XL Levered Dispenser



Square Mixer



OmniOne Plus 9 Under-Bench Units

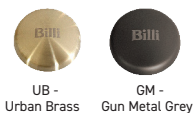


### Finishes

Standard Finishes



Special Order Finishes



Add the relevant Finish Code to the Product code to complete your specification, eg. 926065LSCH-LF

### Accessories

992800 - 70mm Riser & Font



992820 - 70mm Riser



992803 - 120mm Riser & Font



992830 - 120mm Riser



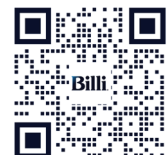
990720 - Tubing Extension Kit for X series dual temp dispensers 2mtrs

### Product Specifications

Water Type	BCSHA
Dispenser	L - XL Levered Dispenser
Mixer Tapware	S - Square Mixer
Product Code	926065LG
Warranty	3 years manufacturers warranty
Under-Bench Dimensions	395mm(W) x 355mm (H) x 495mm (D)
Boiling Output	Up to 180 cups per hour
Chilled* Output	Up to 220 cups per hour
Sparkling* Output	Up to 220 cups per hour
50°C Hot Water Output	Up to 60L per hour
Min / Max Dispenser Temp	6°C / 99°C
Power Plug	10amp
Power Rating	2200W, 220-240V, 50-60Hz
Water Pressure	Min. 250kPa
Ecolabel	N/A
EPD	N/A
Greenstar Contribution	N/A
Watermark License	WM-021525 (unit), WM-25901 (tap)
Lead Free	✓
Section J7.7 (NCC)	✓
WELS	5 Star - T42988
WELL	Cornerstone Membership
Management Systems	Every Billi drinking water appliance is manufactured under the strictest standards and is certified in accordance with: ISO9001 for QMS (FS 790754), ISO14001 for EMS (EMS 801468) and ISO45001 for OSHS (OHS 801469).
Food Handling	NA
Filtration	994051 - 5.0 Micron supplied standard

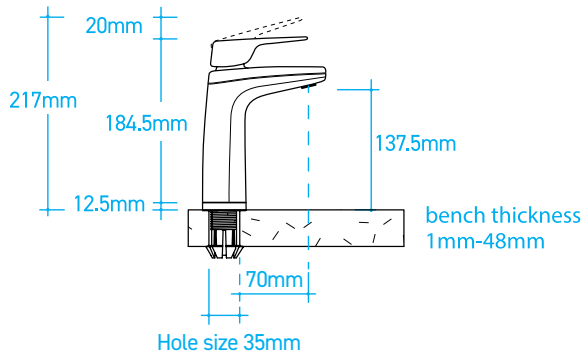
\*Combined usage for Chilled and Sparkling.

Scan the QR code access our Revit families on **bimstore**

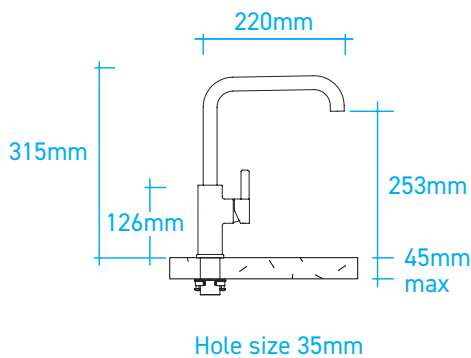


## Technical Drawings

### DISPENSER



### MIXER



### UNDER-BENCH UNITS

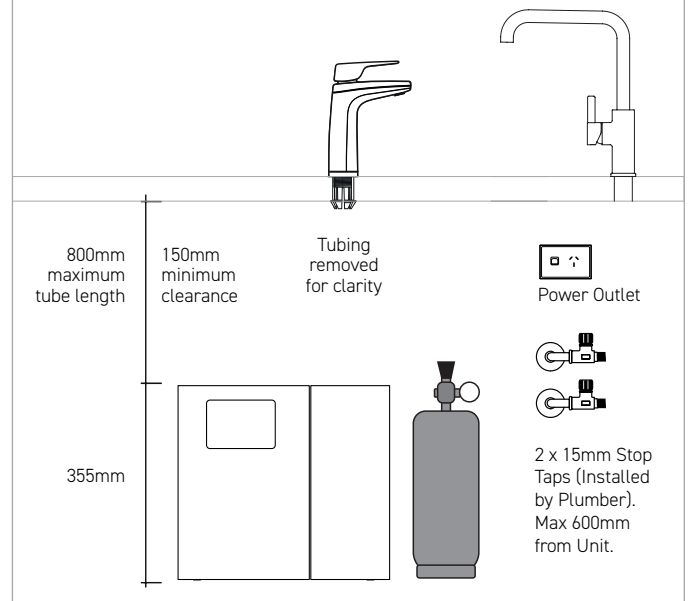
#### Billi OmniOne Unit

#### CO<sub>2</sub> Cylinder



\*Drawings are for guidance during Specification, refer to Installation requirements for final install. All efforts are made to ensure Compliance & Certifications claims are current, however this is subject to change without notice. Billi assumes no liability or responsibility for out of date information.

## Installation Requirements



## Installation Notes

### Electrical

A standard 10 amp power outlet is required, located no further than 1000mm from the underbench unit. The system is supplied with a 1 metre flex cord and plug.

### Water

Two (2) Cold 1/2" BSP (15mm) stop-taps with a male thread should be installed in an easily accessible position. Water supply must be microbiologically safe to drink, with a minimum dynamic water pressure of 250kPa and a maximum of 1000kPa.

### Pressure Valve

Integrated 500kPa pressure limiting and dual check valve is pre-installed to the unit inlet.

### CO<sub>2</sub> MSDS

The CO<sub>2</sub> gas cylinder supplied must be secured in a suitable location. Each cylinder contains 1100g of CO<sub>2</sub> and should be installed in a well ventilated area. Each cylinder will provide between 200-350L of sparkling water depending on the unit settings. The MSDS is available on [www.billi.com.au](http://www.billi.com.au) for a complete list of specifications and warnings. Replacement gas cylinders are available from Billi. CO<sub>2</sub> Cylinder - single 996911 or double 996912.

### Stone Benches

Billi has a no-cut policy regarding all stone benches in compliance with regulations. The safety of our team and customers remains Billi's top priority.

### Ventilation

No joinery ventilation or accessories are required for this Billi product (water cooled technology).

## Filtration - Most Recommended Replacement Filters

Billi range of premium filters utilize BWT's unique FibronX® technology, providing superior taste, water quality, filter life longevity and peace of mind when it comes to hygiene.



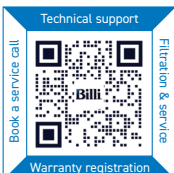
**994051 - (5.0 micron)**

Supplied standard.  
Commercial & high volume sites.



**994052 - (0.2 micron)**

Fine filtration.  
Residential or Critical Care sites.



Please scan the QR code for all support information.

**Billi Australia Pty Ltd**  
P 1800 812 321  
W [www.billi.com.au](http://www.billi.com.au)

**Billi New Zealand Ltd**  
P 0800 636 0 636  
W [www.billi.co.nz](http://www.billi.co.nz)

**Billi**