

Billi Home BCS with XL Levered Dispenser

The Home BCS is the latest iteration of multifunction filtered drinking water appliances from Billi. The intersection of genuine innovation and sustainable design, The Home BCS integrates Billi's renowned water-cooling and energy reclaim technologies into a single space-saving under bench control module. Billi's Home BCS is the ultimate inclusion to the modern home.

The XL levered dispenser is streamlined and elegant, offering boiling and chilled output delivered safely and at your own pace simply by operating the position-sensitive levers.



BOILING



CHILLED



SPARKLING

Features



**AUSTRALIAN
DESIGNED
& MADE**



**WATER
COOLED
TECHNOLOGY**



**HEAT
EXCHANGE
TECHNOLOGY**



**VENT-FREE
INSTALLATION**



**ENERGY
EFFICIENT**



**FRESHER
SPARKLING
TASTE**

XL Levered Dispenser

Home BCS Under-Bench Units



Finishes

Standard Finishes



CH -
Chrome



BR -
Brushed



MB -
Matte Black



MW -
Matte White

Special Order Finishes



UB -
Urban Brass



GM -
Gun Metal Grey



SB -
Sable Bronze

Add the relevant Finish Code to the Product code to complete your specification eg 925100LCH-LF

Accessories

992800 - 70mm Riser & Font



992820 - 70mm Riser



992803 - 120mm Riser & Font



992830 - 120mm Riser



990726 - Tubing Extension Kit for Sparkling unit - 2mtrs

Product Specifications

Water Type	BCS
Dispenser	L - XL Levered Dispenser
Mixer Tapware	N/A
Product Code	925100L
Warranty	3 years manufacturers warranty
Under-Bench Dimensions	395mm(W) x 355mm (H) x 495mm (D)
Min / Max Dispenser Temp	6°C / 99°C
Power Plug	10 amp
Power Rating	1500W, 220-240V, 50-60Hz
Water Pressure	Min. 250kPa
Ecolabel	N/A
EPD	N/A
Greenstar Contribution	N/A
Watermark License	WM-021525
Lead Free	✓
Section J7.7 (NCC)	✓
WELS	N/A
WELL	Cornerstone Membership

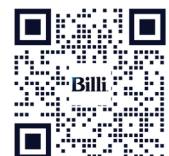
Management Systems Every Billi drinking water appliance is manufactured under the strictest standards and is certified in accordance with: ISO9001 for QMS (FS 790754), ISO14001 for EMS (EMS 801468) and ISO45001 for OSHS (OHS 801469).

Food Handling N/A

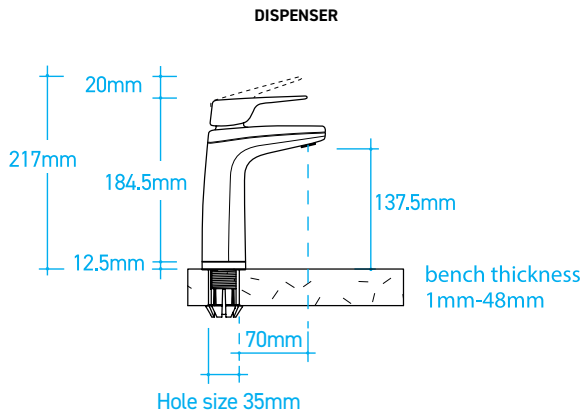
Filtration 994052 - 0.2 Micron supplied standard

Scan the QR code access
our Revit families on

bimstore



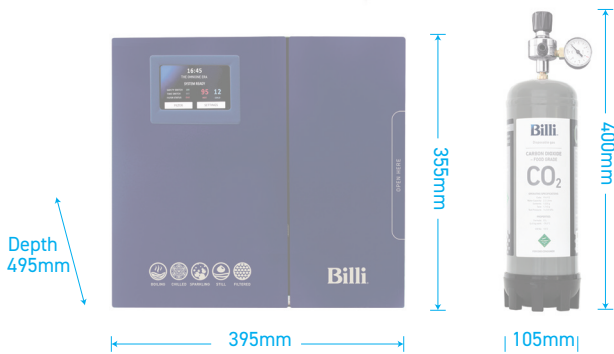
Technical Drawings



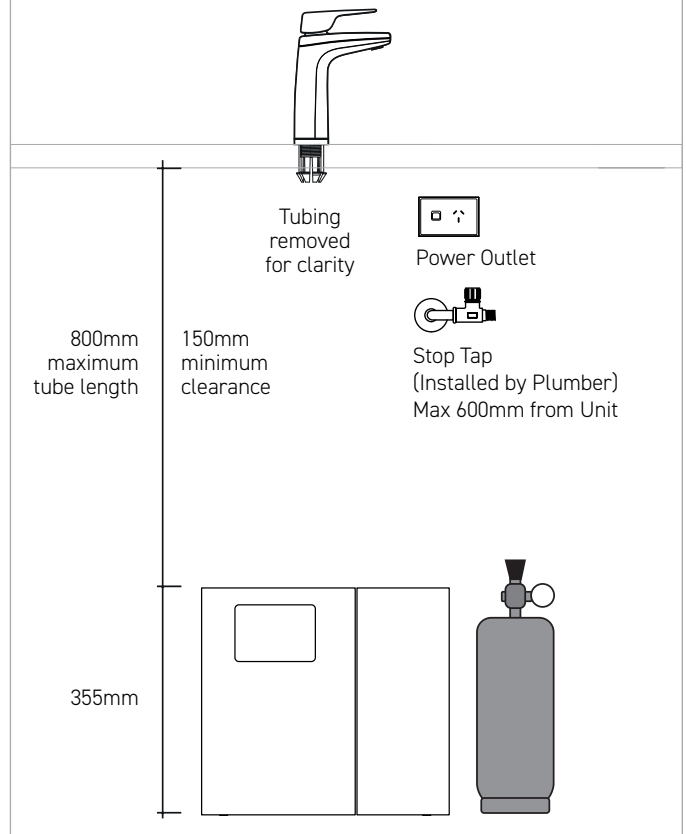
UNDER-BENCH UNITS

Billi Home BCS Unit

CO₂ Cylinder



Installation Requirements



Installation Notes

Electrical

A standard 10 amp power outlet is required, located no further than 1000mm from the underbench unit. The system is supplied with a 1 metre flex cord and plug.

Water

A single 1/2" BSP (15mm) stop-tap with a male thread should be installed in an easily accessible position. Water supply must be microbiologically safe to drink, with a minimum dynamic water pressure of 250kPa and a maximum of 1000kPa.

Pressure Valve

Integrated 500kPa pressure limiting and dual check valve is pre-installed to the unit inlet.

CO₂ MSDS

The CO₂ gas cylinder supplied must be secured in a suitable location. Each cylinder contains 1100g of CO₂ and should be installed in a well ventilated area. Each cylinder will provide between 200-350L of sparkling water depending on the unit settings. The MSDS is available on www.billi.com.au for a complete list of specifications and warnings. Replacement gas cylinders are available from Billi. CO₂ Cylinder - single 996911 or double 996912.

Stone Benches

Billi has a no-cut policy regarding all stone benches in compliance with regulations. The safety of our team and customers remains Billi's top priority.

Ventilation

No joinery ventilation or accessories are required for this Billi product (water cooled technology and/or no waste heat).

Filtration – Most Recommended Replacement Filters

Billi range of premium filters utilize BWT's unique FibronX® technology, providing superior taste, water quality, filter life longevity and peace of mind when it comes to hygiene.



994052 - (0.2 micron)

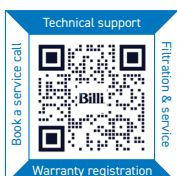
Supplied standard. Residential or Critical Care sites.



994051 - (5.0 micron)

Commercial & high volume sites.

*Drawings are for guidance during Specification, refer to Installation requirements for final install. All efforts are made to ensure Compliance & Certifications claims are current, however this is subject to change without notice. Billi assumes no liability or responsibility for out of date information.



Please scan the QR code for all support information.

Billi Australia Pty Ltd

P 1800 812 321
W www.billi.com.au

Billi New Zealand Ltd

P 0800 636 0 636
W www.billi.co.nz

Billi